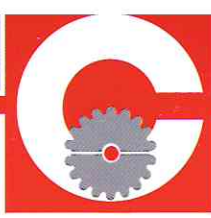




Официальный представитель в России, ООО "Базовая техника"

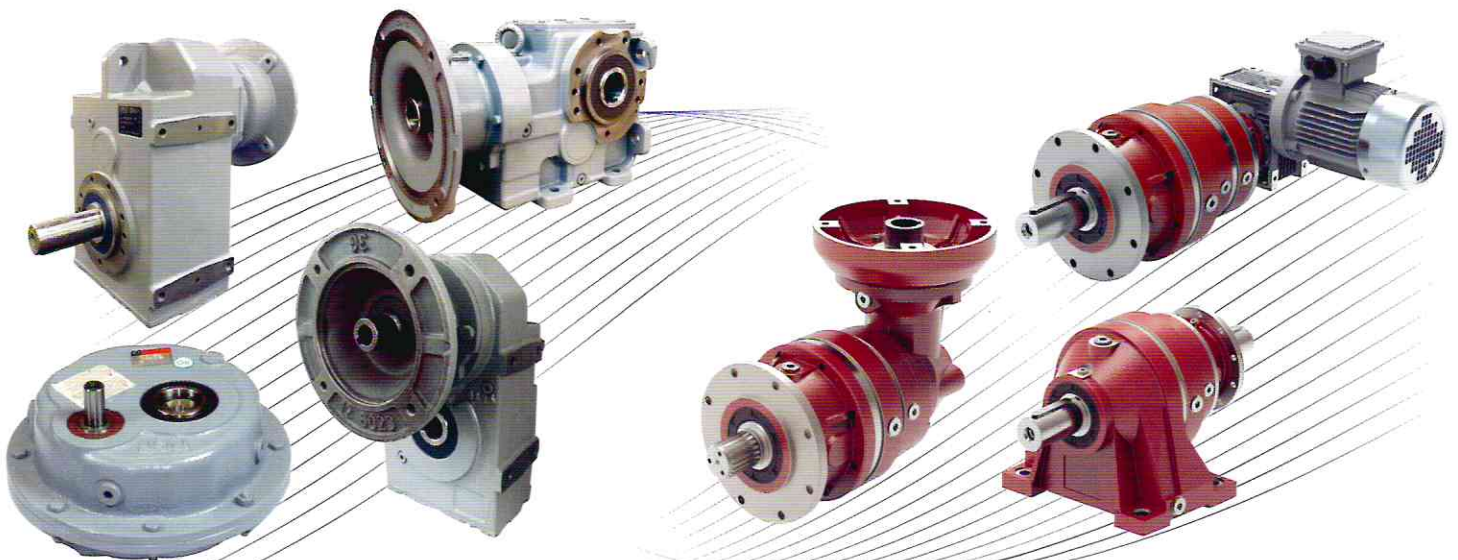
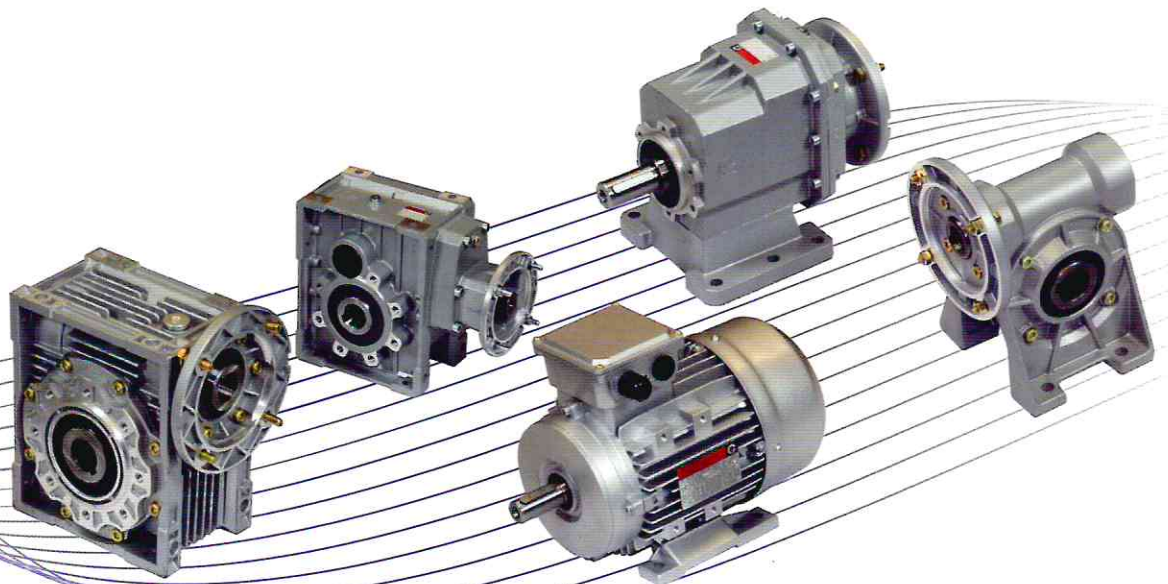
195197, г.Санкт-Петербург,  
Полюстровский пр., д.59, литера X  
тел.: +7 (812) 740-12-27  
sales@baztechshop.ru  
sales@bazteh.ru

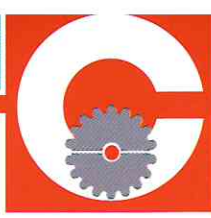
baztechshop.ru  
bazteh.ru



The MANUFACTURER distributor

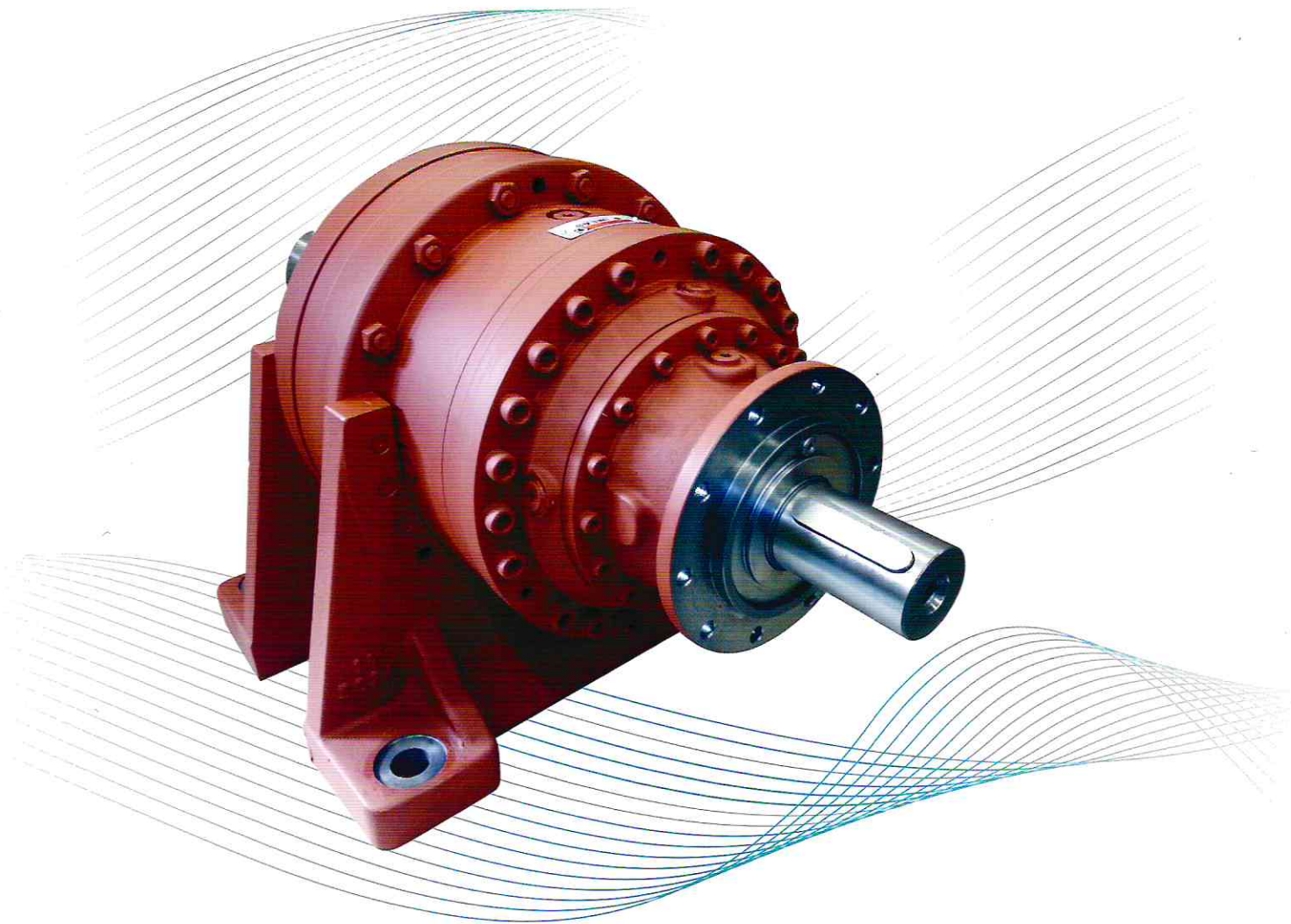
## MOTORS AND GEARBOXES

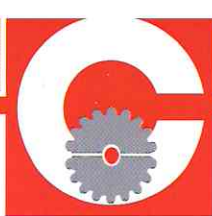




The MANUFACTURER distributor

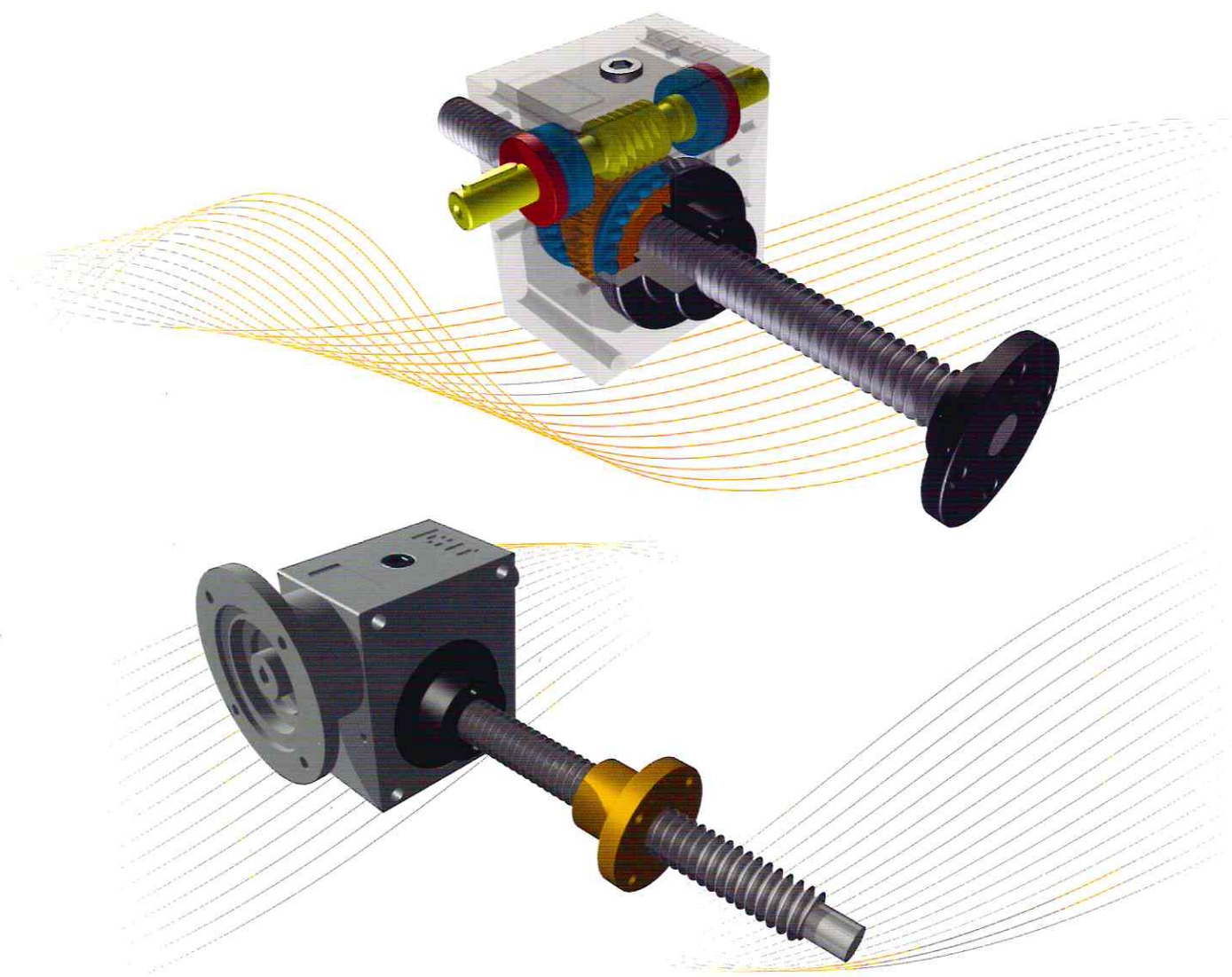
## PLANETARY GEARBOXES

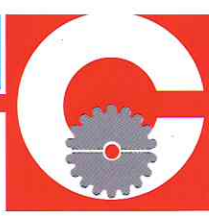




The MANUFACTURER distributor

# MECHANICAL WORM SCREW JACKS





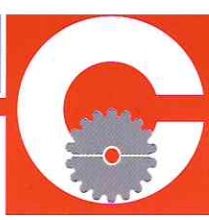
The MANUFACTURER distributor

LA NUOVA LINEA **CH EVOLUTION**  
L'EVOLUZIONE DEL RIDUTTORE  
SECONDO CHIARAVALLI



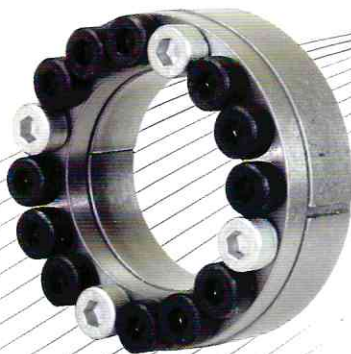
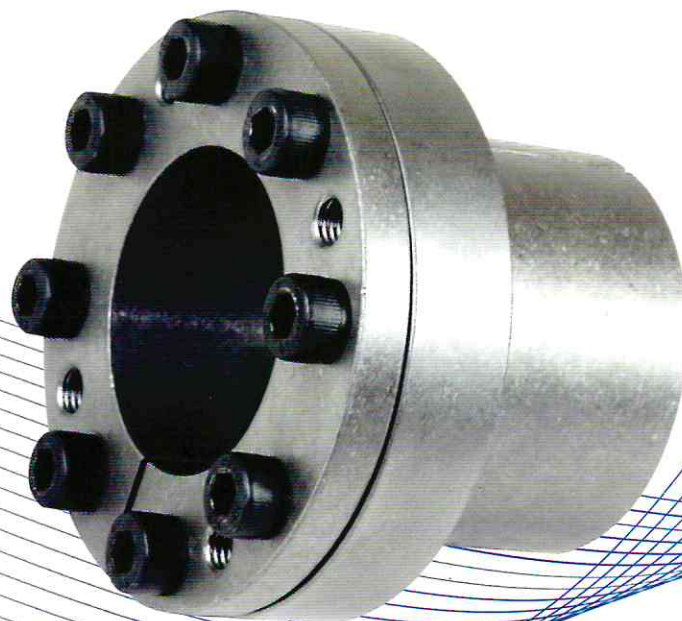
- STRUTTURA MONOLITICA
- COSTRUZIONE ROBUSTA
- RIDUZIONI DEI COSTI
- RIDUZIONE DEL NUMERO DEGLI ACCESSORI
- ASSOLUTA INTERCAMBIABILITÀ  
CON LE VECCHIE VERSIONI
- PLUG AND PLAY

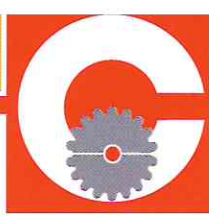




The MANUFACTURER distributor

# CLAMPING ELEMENTS **RCK**<sup>®</sup> BRAND

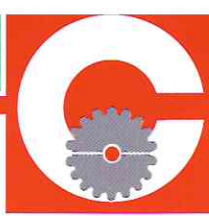




The MANUFACTURER distributor

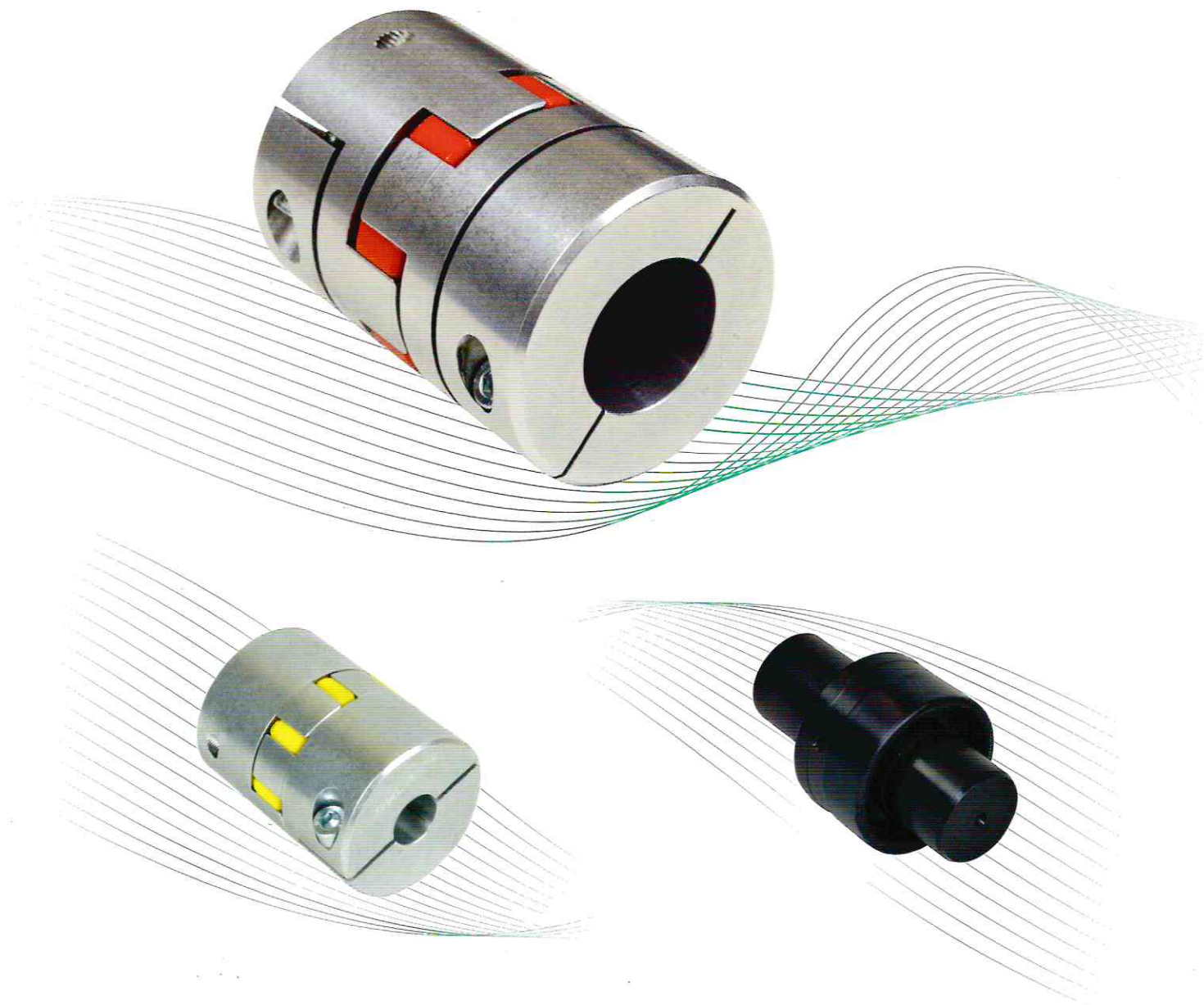
## TAPER BUSHES RCB<sup>®</sup> BRAND





The MANUFACTURER distributor

## **FLEXIBLE COUPLINGS GIFLEX®**





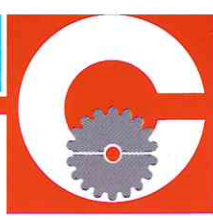


The MANUFACTURER distributor



CHIARAVALLI MASTER DISTRIBUTOR

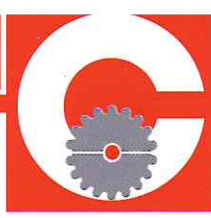




The MANUFACTURER distributor

## PILLOW BLOCKS FSB® BRAND

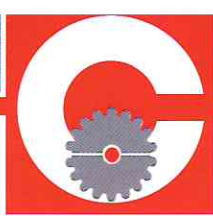




The MANUFACTURER distributor

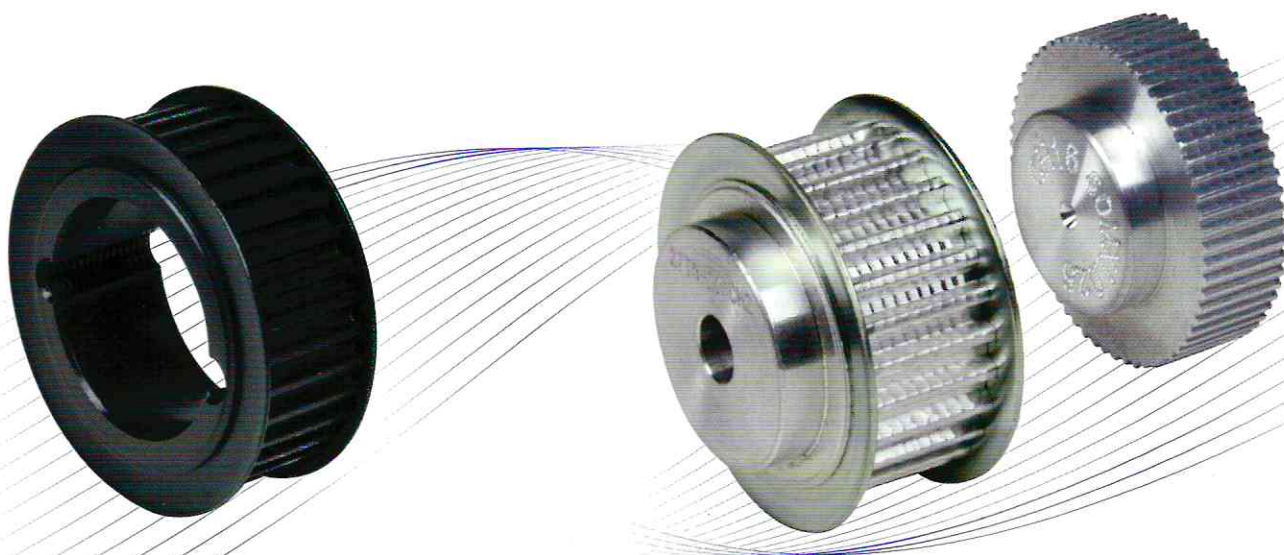
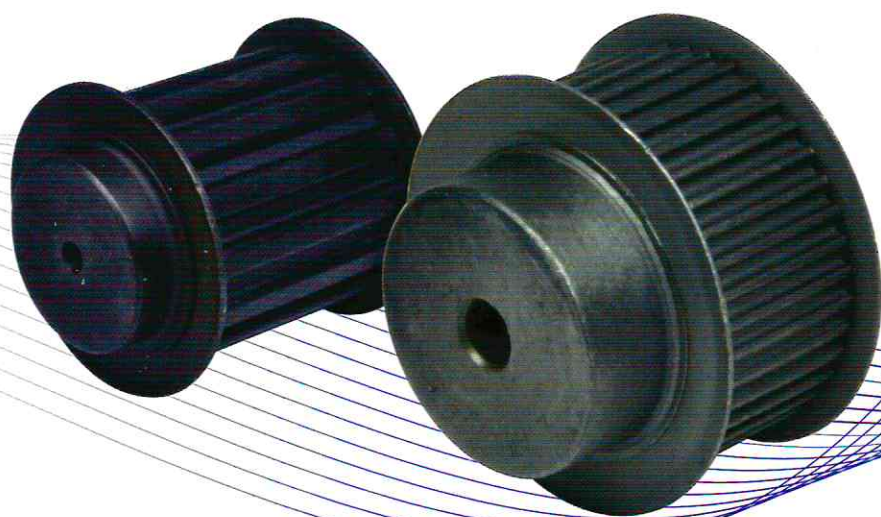
## PLATEWHEELS

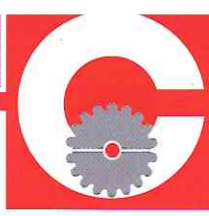




The MANUFACTURER distributor

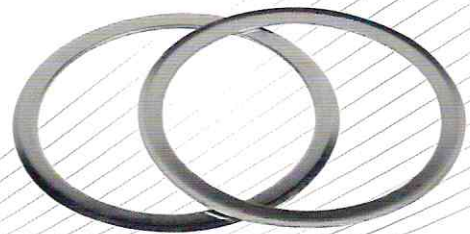
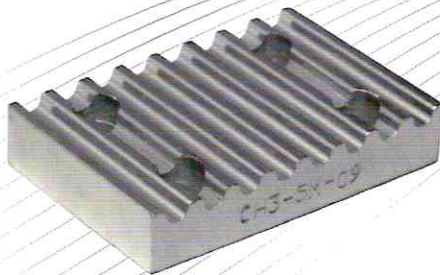
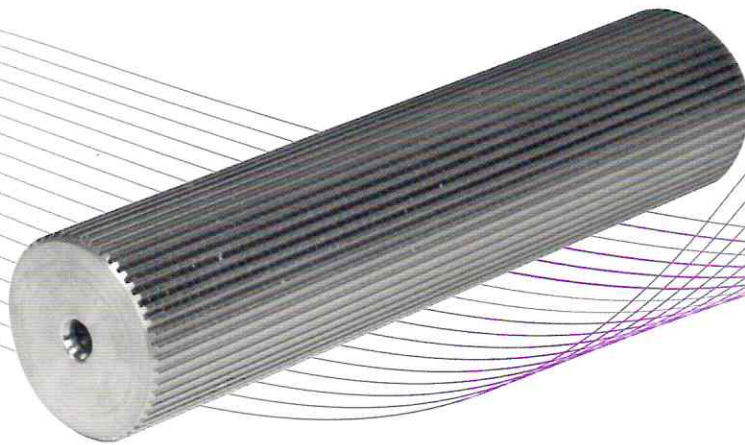
## TIMING PULLEYS





The MANUFACTURER distributor

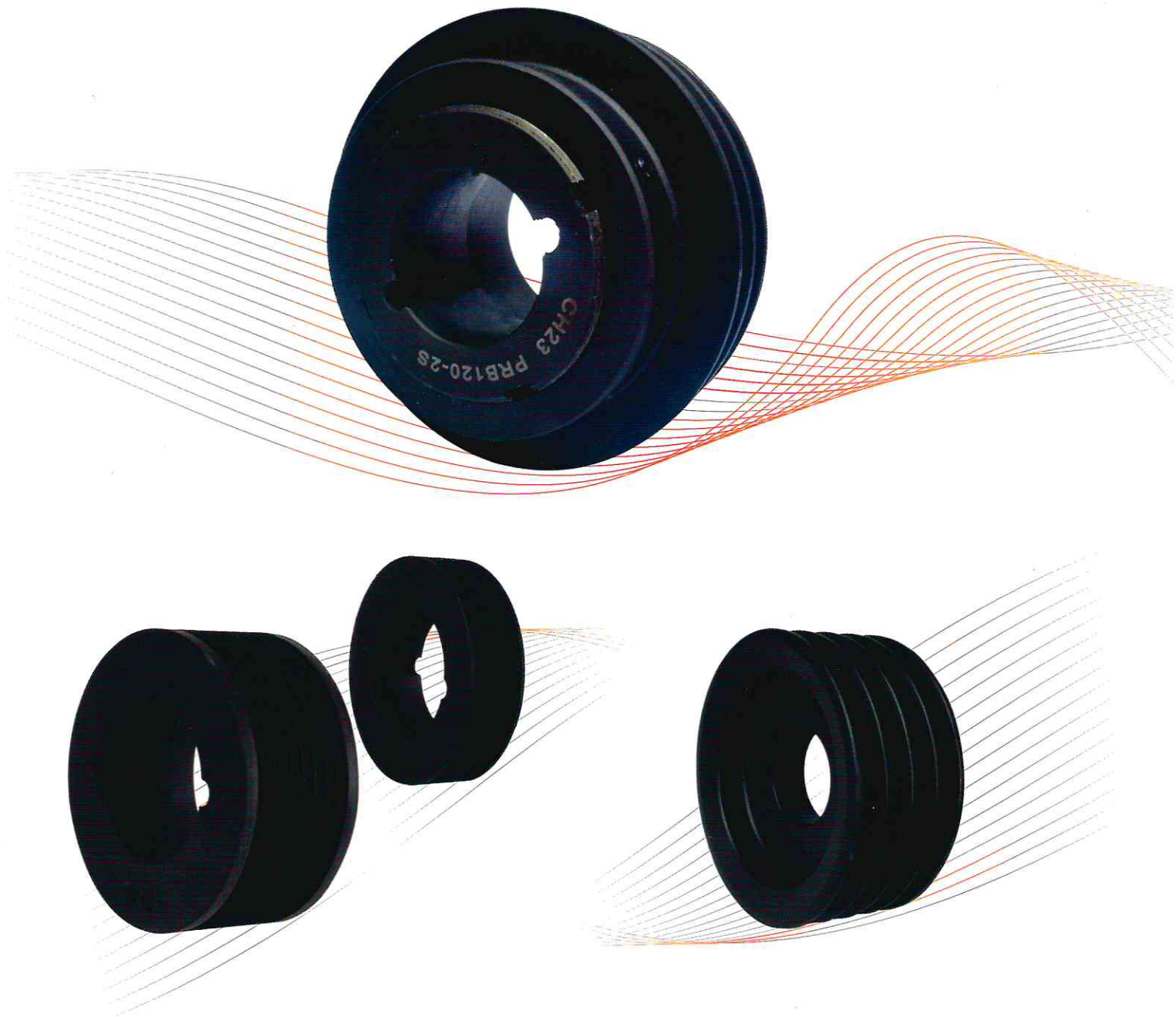
**TIMING BARS ■ FLANGES FOR PULLEYS  
■ CLAMPING BELTS PLATES**

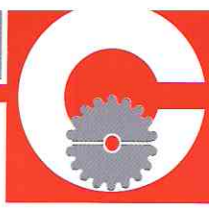




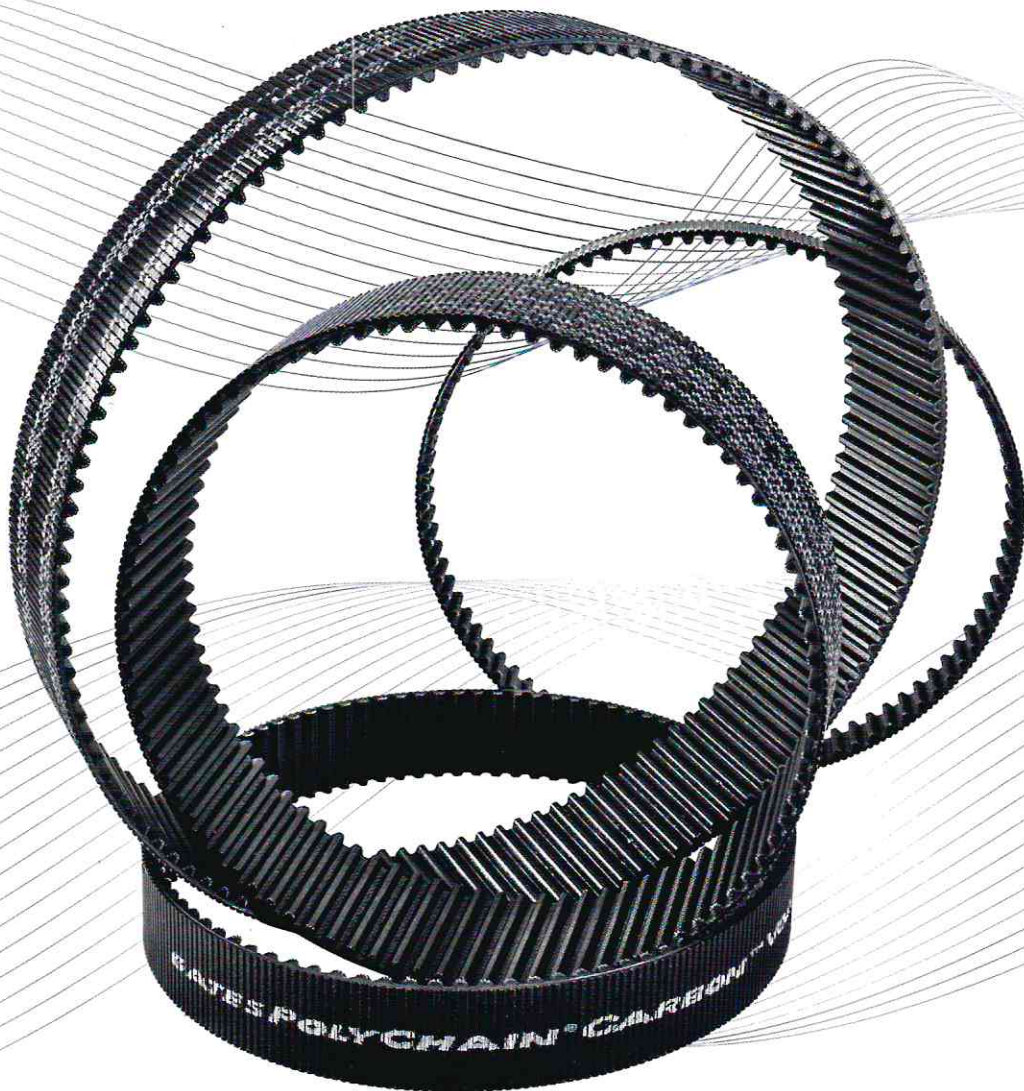
The MANUFACTURER distributor

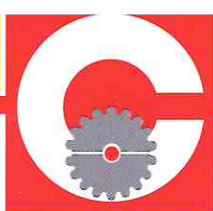
## V-BELT PULLEYS





The MANUFACTURER distributor



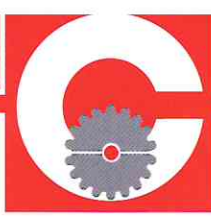


The MANUFACTURER distributor

## SPROCKETS

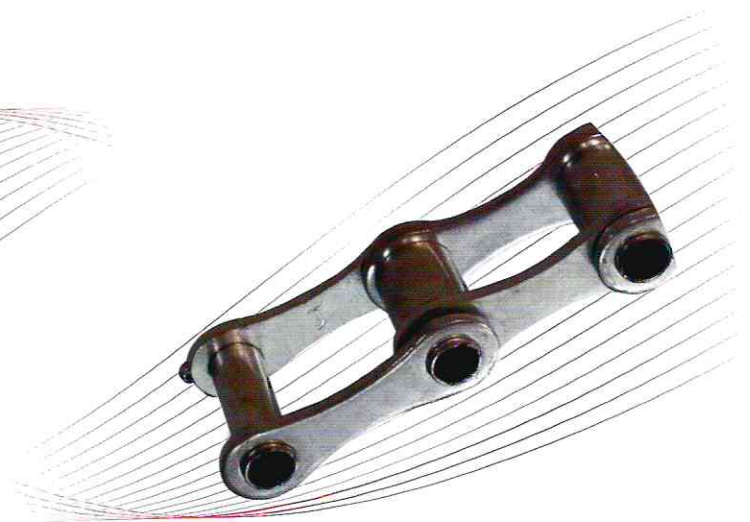
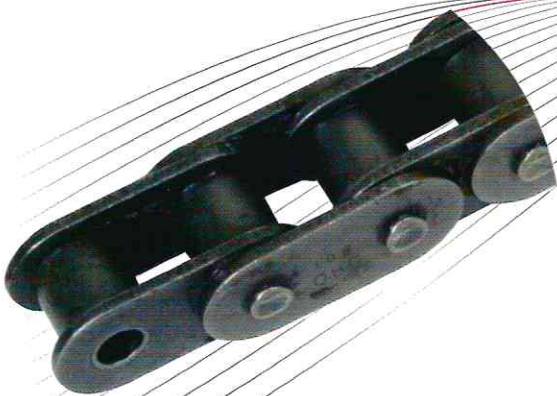
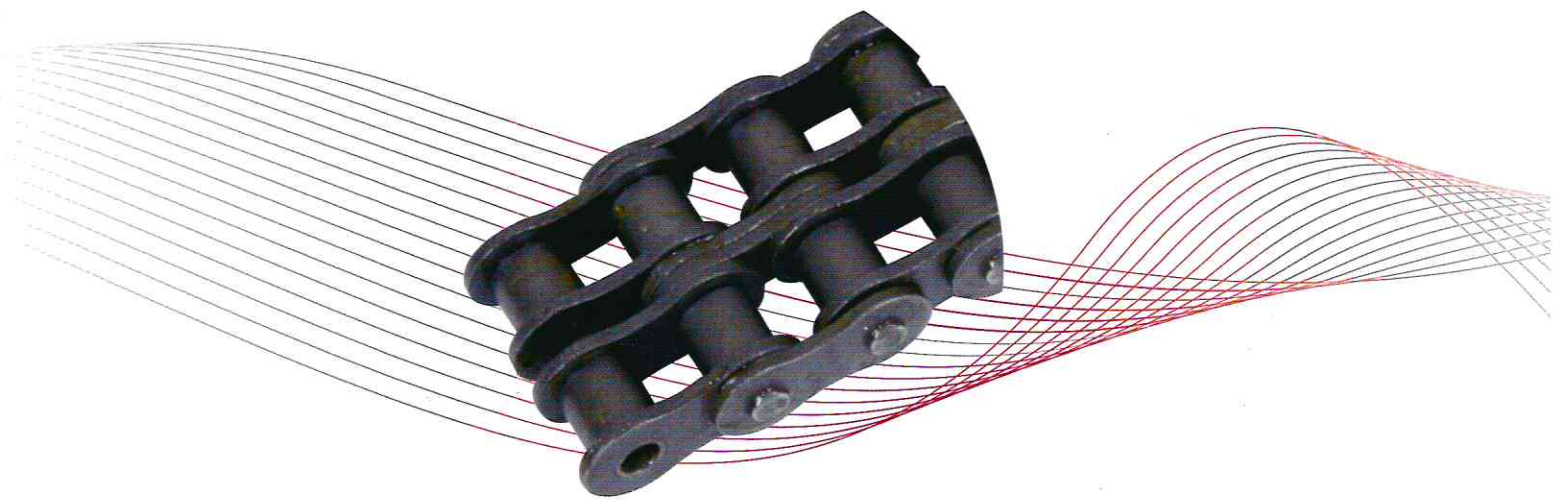


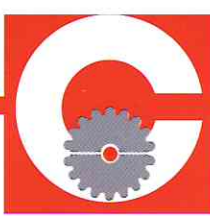




The MANUFACTURER distributor

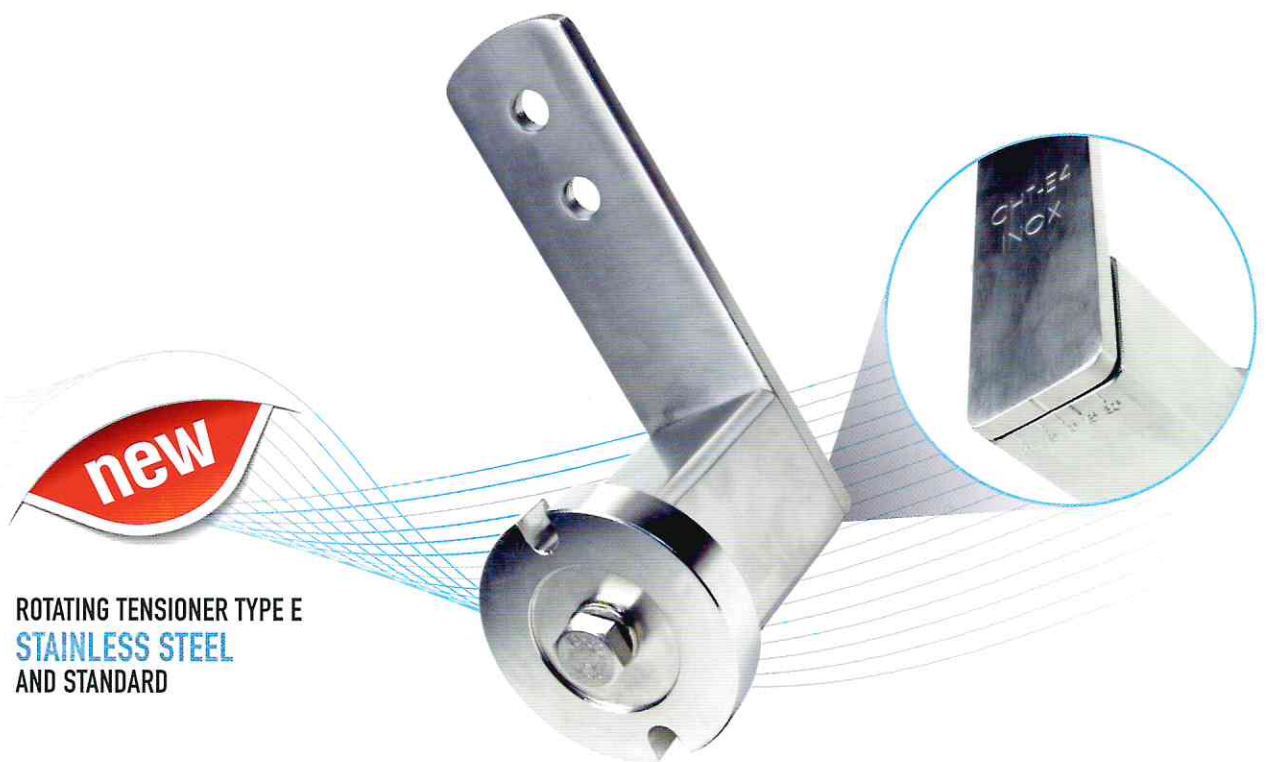
## CHAINS



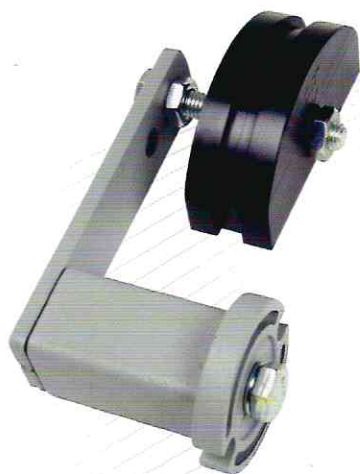


The MANUFACTURER distributor

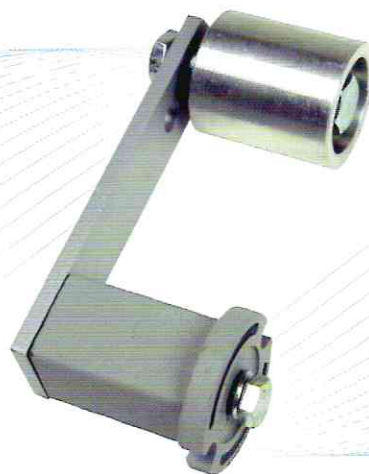
## TENSIONERS MADE IN ITALY



ROTATING TENSIONER TYPE E  
STAINLESS STEEL  
AND STANDARD



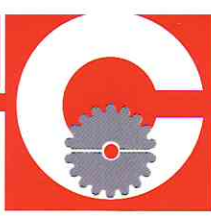
ROTATING TENSIONER  
CHT-EGE



ROTATING TENSIONER  
CHT-ERU

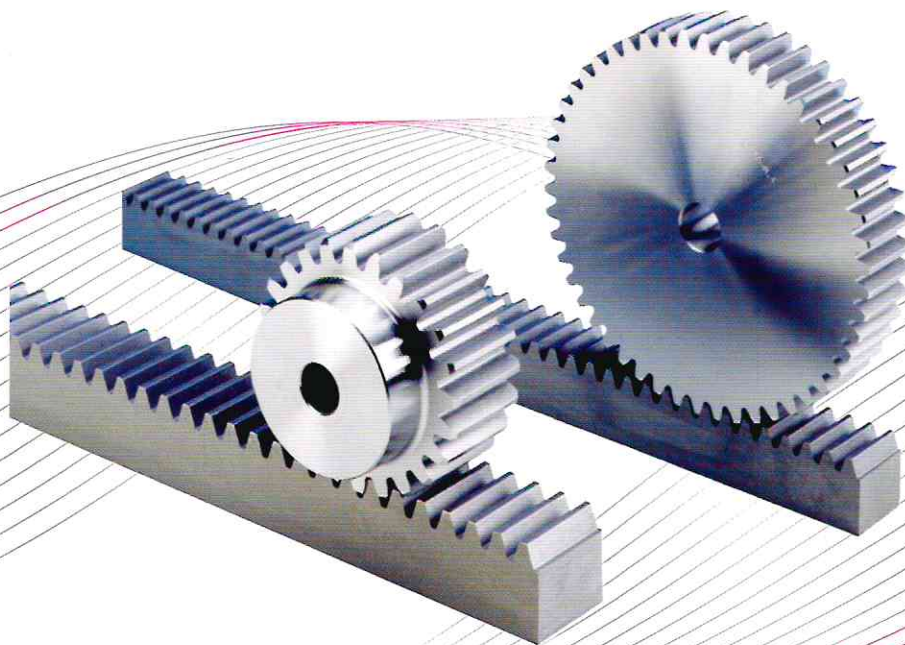


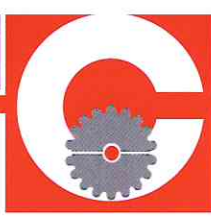
ROTATING TENSIONER  
CHT-ER



The MANUFACTURER distributor

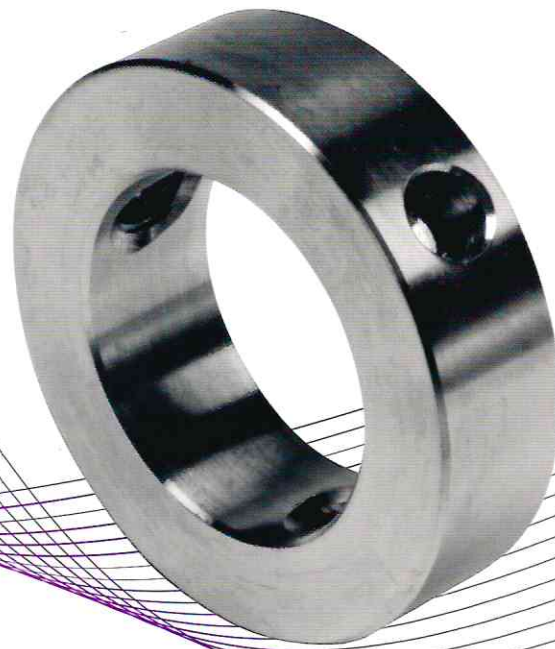
## **STRAIGHT SPUR GEARS AND RACKS**

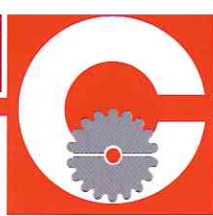




The MANUFACTURER distributor

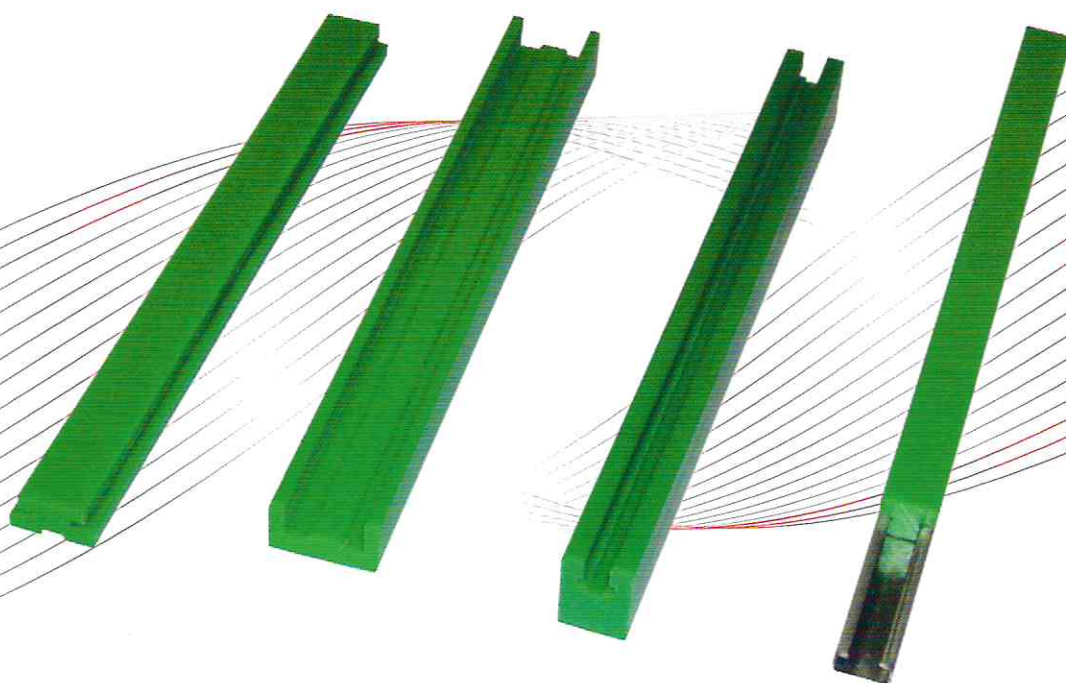
## **COLLARS AND WASHERS**

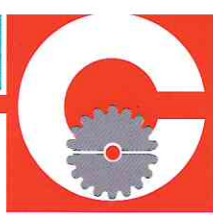




The MANUFACTURER distributor

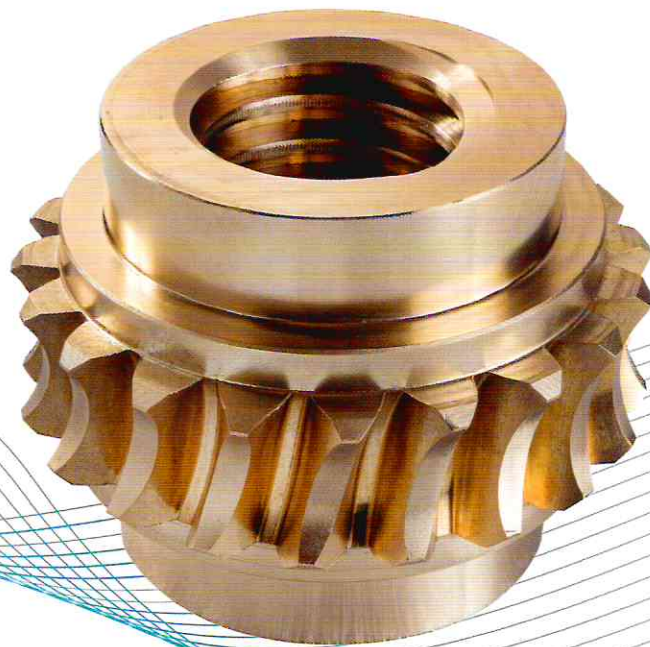
# POLYETHYLENE **GUIDE RAILS** and METAL STEEL **HOLDER**





The MANUFACTURER distributor

## O.E.M. COMPONENTS





Cavaria con Premezzo, 21/05/19

Vs. Rif. The 21 the of May, 2019

Ns. Rif. OFFICIAL DISTRIBUTOR STATUS

**ООО «Базовая техника» /  
Basic Technique**

**195197, St. Petersburg, avenue Polyustrovsky,  
d. 59, letter X, office 300**

**Phone +7 (812) 740-12-27**

**E-mail info@bazteh.ru**

**Website www.bazteh.ru**

Dear Customer **ООО «Базовая техника» /Basic Technique, ST-Petersburg**

CHIARAVALLI GROUP SPA is proud to declare the Company:

**ООО «Базовая техника» /Basic Technique, ST-Petersburg,**

**Official Distributor for all Chiaravalli Power Transmission Parts for the Russian Market.**

Best regards,

  
Raffaele Tipa

Export Sales Manager

*Depositi:*

21044 CAVARIA CON PREMEZZO - Via Tito Minniti, 578

- Tel. 0331 214511

- Fax 0331 705073

35127 PADOVA - Via Portogallo, 11 int. 51

- Tel. 049 870.52.05

- Fax 049 870.52.37

*Divisione LAME:*

21040 JERAGO CON ORAGO - Via Dante 40

- Tel. 0331 218598

- Fax 0331 735019

*MOTORCYCLE Division:*

21044 CAVARIA CON PREMEZZO - Via per Cedrate 388

- Tel. 0331 219484

- Fax 0331 212301